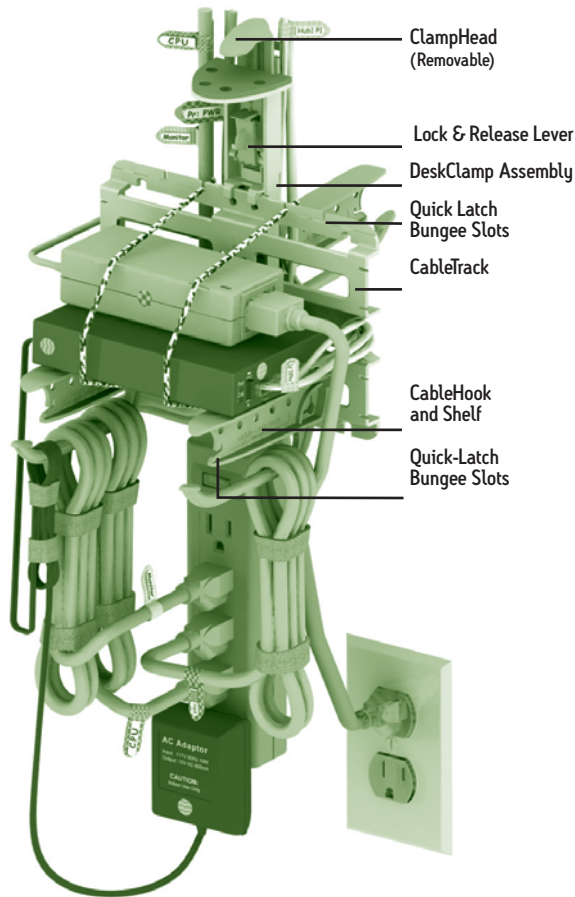


## Quick Guide - How to Organize Cables

- 1 Turn off the power.
- 2 Label cables and cable ports.
- 3 Unplug cables on one end as needed.
- 4 Stack hubs & power adapters on CableHook shelf. Secure with bungee cords. Simply stretch bungee and press into groove.
- 5 Mount power strip. Loop cord and hang power strip on back hook. Or, mount it on the wall.
- 6 Loop & tie cables.
- 7 Hang cables on CableHooks.



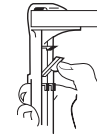
Enjoy clean floors and easy access to all your cables.

# The Complete CABLE MANAGER™

## Quick Guide: How to Install

### Mount Anywhere

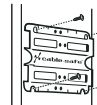
Clamp it on through grommet hole or on desktop.



Mount anywhere under desktop.



Mount on the wall.



### 1 Clamp it on.

Push orange clamp lever down and press ClampHead snug over desktop. Push lever up to tighten and lock.

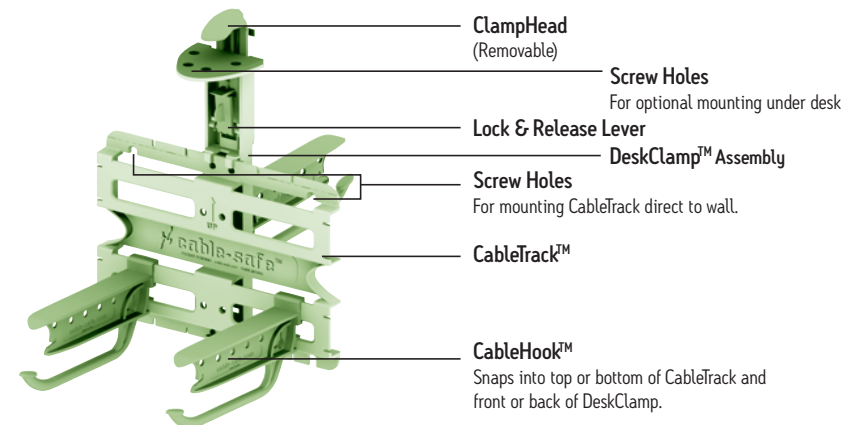
### 2 Slip CableTrack into DeskClamp.

It mounts on either side.

### 3 Snap 2 CableHooks into CableTrack.

Use upper or lower track. Adjust to desired width.

### 4 Snap 1 CableHook into back of DeskClamp.



## TIPS

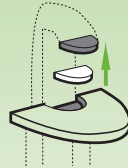
### CableCatch

Use this catch to temporarily hold cable while installing them from below desk.



### Desktop Protection Pad

A small section of the main pad can be removed to protect the desktop.

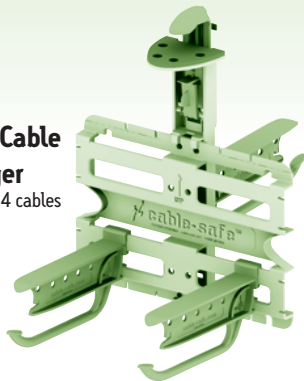


## CABLE MANAGER CONFIGURATIONS

Cable Manager can be configured to suit any cable organization need:

### Complete Cable Manager

Organizes 12-14 cables



### Expansion Kit

Organizes 8-12 cables



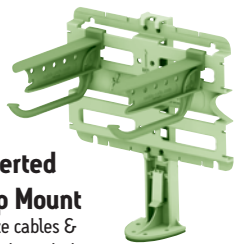
### Space Saver Kit

Organizes 8-12 cables



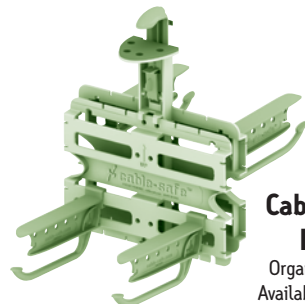
### Inverted Clamp Mount

Organize cables & devices above desk



### Cable Manager With Expansion Kit

Organizes 24 cables or more.  
Available at [www.cable-safe.com](http://www.cable-safe.com)



## “Oh, what a tangled web we weave”

**Congratulations.** You have just joined forces with a growing group of discerning individuals demanding order out of the cable chaos that surrounds us all. Welcome to the fold.

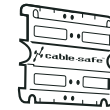
Cable-Safe's Complete Cable Manager Kit has everything you need to organize a minimum of 12-14 cables, mount several power strips and store up to 3 small devices on the under-the-desk shelf.

**Organize any number of cables.** If your system has a large number of cables, simply add more Cable Manager kits. There is no limit to the number of cables the Cable Manager can organize.

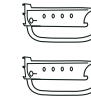
Everything you need is in this kit:



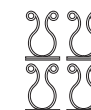
Screws



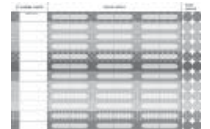
CableTrack



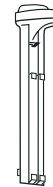
CableHooks



CableClips  
(with adhesive base)



Cable Labels



DeskClamp  
Assembly



Alcohol Pad  
(to clean surface prior to applying  
adhesive CableClips)



CableStraps  
(perforated every 6")



Bungees

### 10 Year Limited Warranty

All Cable-Safe products are warranted against defects in workmanship and materials for 10 years from the date of purchase. This warranty applies only to products installed according to the instructions and used for the product's intended use. If you modify the product, this warranty will be void.

DeviceWorks will replace defective products that you return to us within the warranty period. You must provide your purchase receipt with the returned product. For warranty claims please call DeviceWorks at (800) 830-6322 or e-mail [customerservice@cable-safe.com](mailto:customerservice@cable-safe.com).

Our liability under this warranty is limited to replacement of the defective product. OUR LIABILITY WILL IN NO CASE EXCEED THE PURCHASE PRICE OF THE PRODUCT AS TO WHICH A CLAIM IS MADE. THIS LIMITED WARRANTY IS EXCLUSIVE. ALL OTHER WARRANTIES EXPRESSED OR IMPLIED, INCLUDING THE IMPLIED WARRANTIES OF MERCHANTABILITY AND FITNESS FOR A PARTICULAR PURPOSE, ARE HEREBY EXCLUDED. IN NO EVENT WILL DEVICEWORKS BE LIABLE FOR ANY INDIRECT, SPECIAL OR CONSEQUENTIAL DAMAGES (INCLUDING DAMAGE TO EQUIPMENT OR LOST DATA), EVEN IF DEVICEWORKS KNOWS OF THE POSSIBILITY OF SUCH DAMAGES. This warranty gives you specific legal rights. You may also have other rights, which vary by jurisdiction. Some jurisdictions allow implied warranties to be limited in time but not excluded; in these jurisdictions, all implied warranties are limited to the duration of this Limited Warranty. Some jurisdictions do not allow limitations on implied warranties or consequential damages, so some of the above limitations may not apply to you.

## DETAILED INSTRUCTIONS

### 1 Power down.

Turn off the power to prevent unwanted surprises.

### 2 Choose a safe location.

Now find a good place to mount your Cable Manager. Make sure there's plenty of room for your knees. Avoid natural disasters like space heaters, moisture or your pet's favorite sleeping spot.

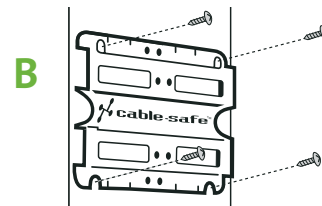
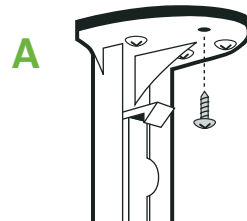
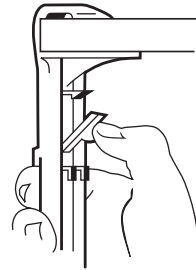
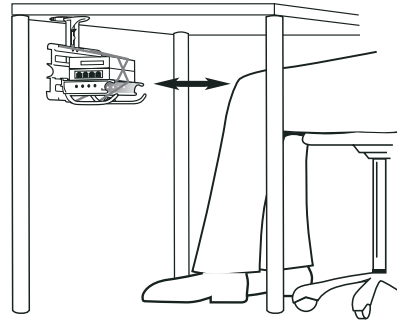
### 3 Clamp it on.

Hold the ClampHead snugly over the back of your desk, through the cable grommet hole, or anywhere you think might work. Press the orange lever up until it latches and *voilà*...you're ready to organize cables. If you need to move your Cable Manager to a better location, it's easy. Just release the lever and clamp it somewhere else.

#### No place to clamp? Mount it with screws.

Your Cable Manager will mount with screws anywhere under the desk or on the wall. Unlatch lock and release lever, pull it down and pull ClampHead out. Mount as shown in illustration A. Or, remove CableTrack and mount as shown in illustration B.

**To release:** unlatch lock and release lever, pull up on the ClampHead while pushing up on the catch above the orange lever. The lever will not release if the ClampHead is restricted from moving upwards.



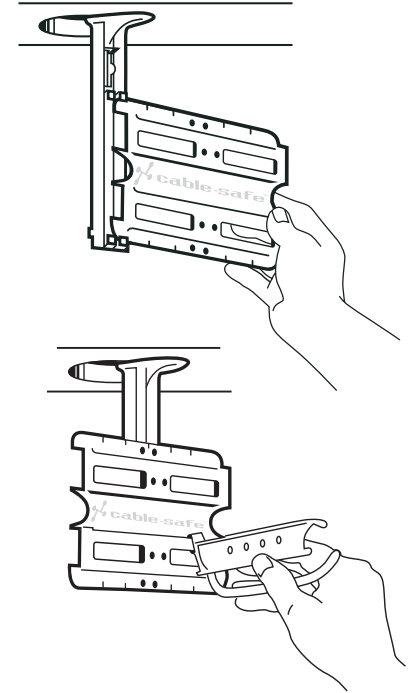
### 4 Slip the CableTrack into DeskClamp.

The CableTrack slips easily into "L" shaped notches on the front or the back of the DeskClamp assembly. When it's centered, you'll feel it snug up tight.

### 5 Snap the CableHooks in.

Snap 2 CableHooks into CableTrack and 1 into back of DeskClamp assembly. The CableHooks hang cables as well as create an adjustable-width shelf for your small devices. To adjust shelf width, lift CableHook slightly, slide left or right and snap down to lock into place.

CableHooks mount on upper or lower tracks. Using the lower track provides more room to store small devices like hubs, modems and those pesky power supplies that are forever in the way. Each CableTrack holds up to 4 or more CableHooks.

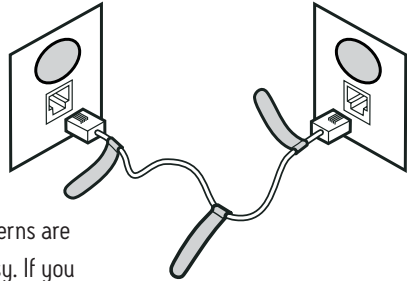


## NOW, GET EVERYTHING OFF THE FLOOR...REALLY.

### 6 Label cables and cable ports.

As you untangle the first cable, label it at both ends with Cable-Safe labels. It will be easier to unplug one end of each cable so you can move things around. Now label both the source and destination equipment ports where it plugs in. The patterns are distinctive and make identifying cables easy. If you want more information on any cable write on the label with a pencil or ballpoint pen. The labels are made of a tough plastic film so avoid writing notes with gel pens which may smudge.

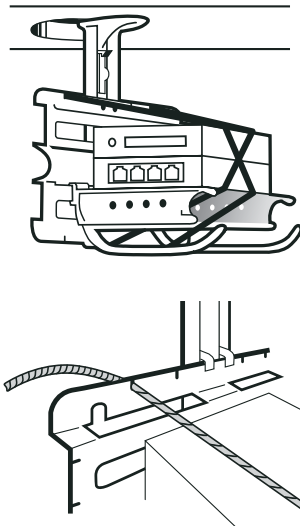
Now you'll know, at a glance, which cable goes to which port.



### 7 Stack your small devices on the shelf.

Place your USB hubs, power supplies, modems and other small devices on the newly created under-the-desk shelf. Adjust the CableHooks from side to side so they fit under your equipment.

Secure all the devices with quick-latch bungee straps. Stretch the bungee and slip it into any of 24 bungee slots on the CableTrack or CableHook. Pull it over your small devices and stretch it across a second bungee slot and let go. To release simply pull it up and out of the slot.

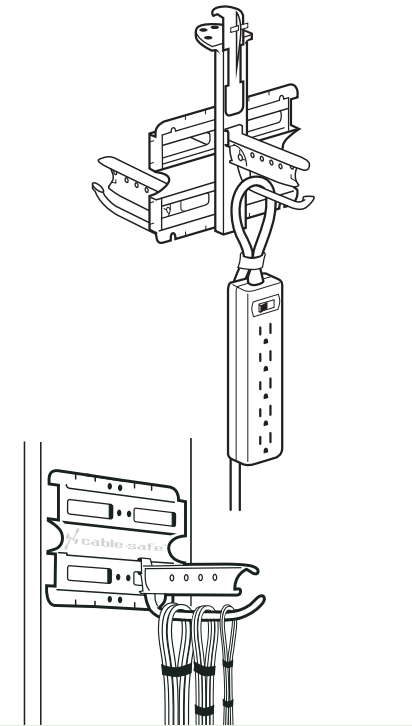


### 8 Mount your power strip off the floor.

Loop the power strip cord and hang it on the back CableHook. Power strips can hang on the front hooks too. However, using the back CableHook provides more organizing space.

### 9 Loop, hang and separate cables.

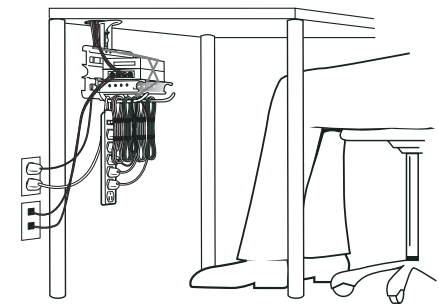
Now gather excess cable length into loops. For super-neat, straight loops bundle them at top and bottom with the provided hook & loop CableStraps. For more casual loops just bundle them once in the middle.



*Whoa, not too tight there. Leave enough length available to be able to move your equipment around on the desk top and enough length to reach the power strip without pulling.*

And there you are. All your cables are off the floor, labeled and easy to access. Send us a photo of your handiwork. We'd love to publish it on our web site. Send it to [coolcables@cable-safe.com](mailto:coolcables@cable-safe.com).

Got a question? Send an e-mail, we'll respond. [questions@cable-safe.com](mailto:questions@cable-safe.com)



DeviceWorks Company 1705 14th Street, Suite 180 Boulder, CO 80302  
Patent Pending Made in USA